



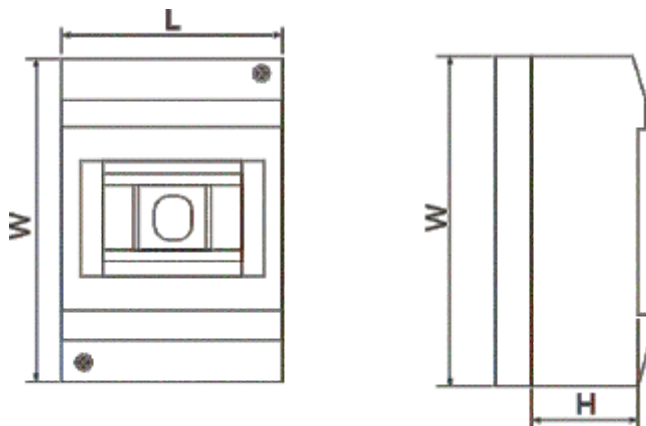
### Description

- Standard: IEC60439-3
- Electric value: up to 63A, 240/415V, AC 50/60Hz
- Way No.: 1, 2, 4, 6, 8, 12, 18
- Protection degree: IP30
- Shell material: PS, ABS, ABS-UV Fire Resistant
- Approval: CE, RoHS

### Specification Surface-Mounted

Model	Way No.	Dimension (mm)			PCS/CTN
		L	W	H	
HAG-1P	1	34	130	60	200
HAG-2P	2	52	130	60	200
HAG-4P	4	87	130	60	100
HAG-6P	6	123	160	60	50
HAG-8P	8	160	160	60	50
HAG-12P	12	260	160	60	20
HAG-18P	18	365	160	60	20

### Overall and Installation Dimension





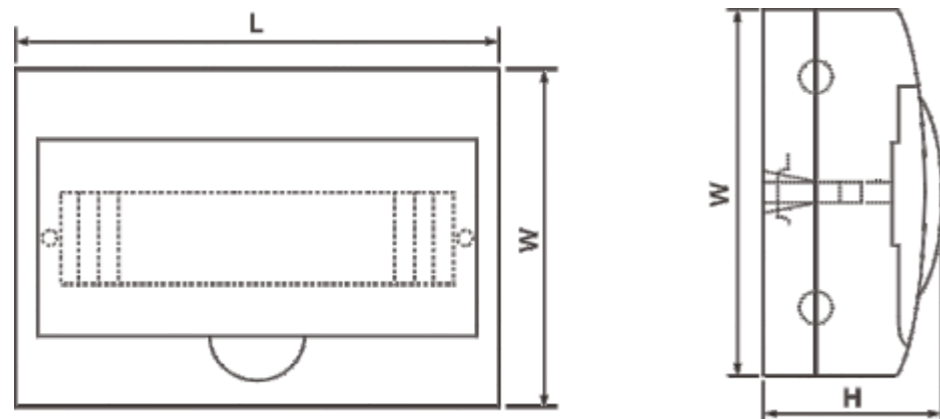
**Description**

- Standard: IEC60439-3
- Electric value: up to 100A, 240/415V, AC 50/60Hz
- Way No.: 4, 6, 8, 10, 12, 18, 24, 36
- Load current(A): 100/1-phase, 63/3-phase
- Protection degree: IP40
- Shell material: PS, ABS, ABS-UV Fire Resistant
- Material of transparent door: ABS, UV Resistant PC
- Approval: CE, RoHS

**Specification Surface-Mounted**

Model	Way No.	Dimension(mm)			PCS/CTN
		L	W	H	
TXM-4SP	4	112	200	100	20
TXM-6SP	6	148	200	100	20
TXM-8SP	8	184	200	100	20
TXM-10SP	10	220	200	100	10
TXM-12SP	12	256	200	100	10
TXM-18SP	18	364	222	100	10
TXM-24SP	24	270	325	100	10
TXM-36SP	36	305	473	100	5

**Overall and Installation Dimension**



**Description**

- Standard: IEC60439-3
- Electric value: up to 100A, 240/415V, AC 50/60Hz
- Way No.: 4, 6, 8, 10, 12, 18, 24, 36
- Load current(A): 100/1-phase, 63/3-phase
- Protection degree: IP40
- Shell material: PS, ABS, ABS-UV Fire Resistant
- Material of transparent door: ABS, UV Resistant PC
- Approval: CE, RoHS

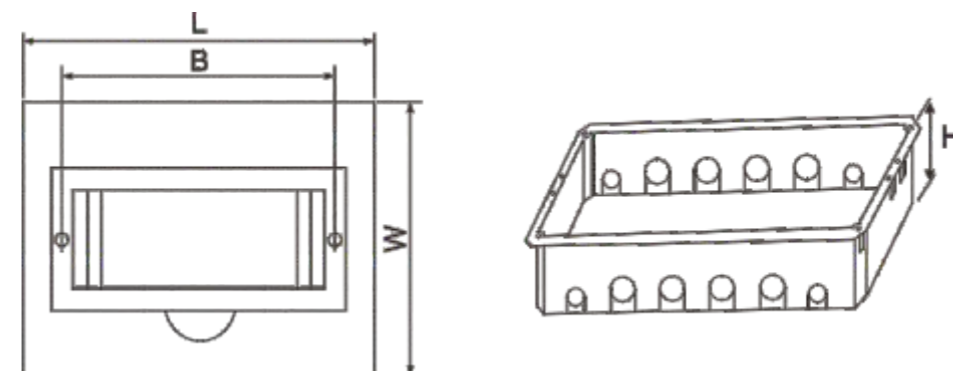
**Specification Flush-Mounted**

Model	Way No.	Dimension(mm)				PCS/CTN
		L	W	H	B	
TXM-4FP	4	136	222	93	86	20
TXM-6FP	6	172	222	93	122	20
TXM-8FP	8	208	222	93	158	20
TXM-12FP	12	280	222	93	230	10
TXM-15FP	15	334	222	93	283	10
TXM-18FP	18	398	252	103	338	10
TXM-24FP	24	300	345	103	232	10
TXM-36FP	36	341	503	103	265	5

**Australia Model**

Model	Way No.	Dimension(mm)				PCS/CTN
		L	W	H	B	
TXM-D6FP	6	192	247	93	122	20
TXM-D8FP	8	228	247	93	158	20
TXM-D12FP	12	305	247	93	230	10
TXM-D15FP	15	354	247	93	283	10
TXM-D18FP	18	415	270	103	238	5
TXM-D24FP	24	305	355	103	232	5

**Overall and Installation Dimension**



## HT Series Water-Proof Distribution Box

**CHANA**<sup>®</sup>



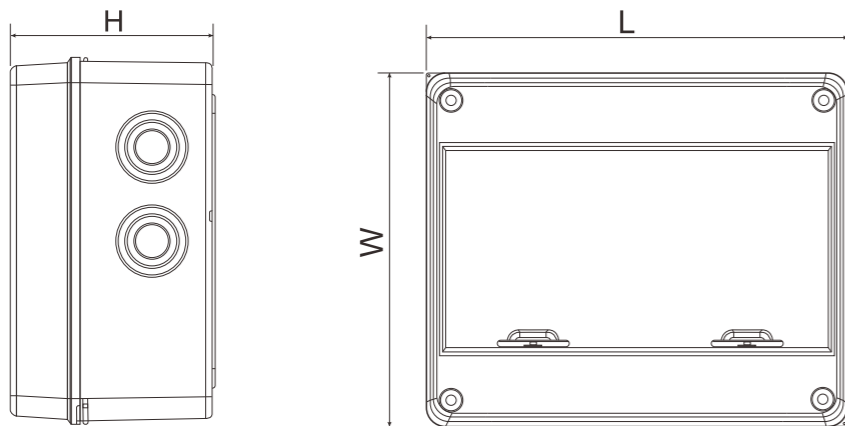
### Description

- Rated voltage/rated frequency: 690V/50Hz
- Material: Shell-PC  
Body-ABS
- Color: RAL7035
- Tested and approved to EN 60947-1
- Protection degree: IP65
- Din rail connection according to EN 50022
- Supplied with removable earth bar

### Specification

Model	Way No.	Dimension(mm)		
		W	H	D
HT-5	5	120	160	90
HT-8	8	200	155	93
HT-12	12	253	197	108
HT-15	15	310	200	108
HT-18	18	365	198	108
HT-24	24	275	355	108

### Overall and Installation Dimension



## HA Series Water-Proof Distribution Box

**CHANA**<sup>®</sup>



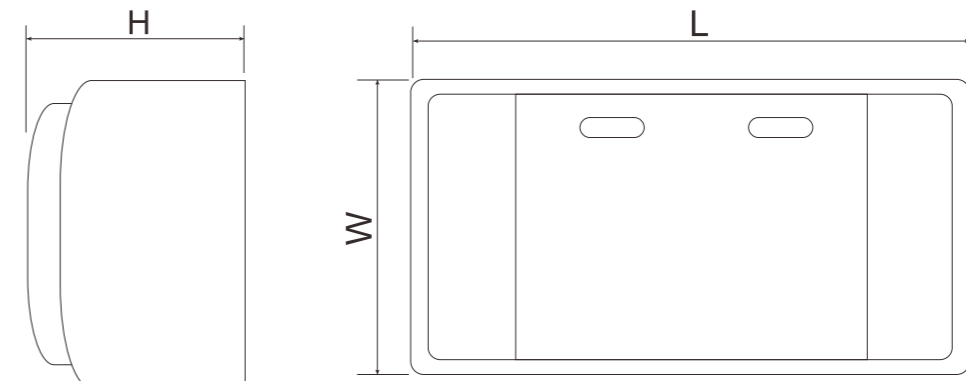
### Description

- Rated voltage/rated frequency: 690V/50Hz
- Material: Shell-PC  
Body-ABS
- Color: RAL7035
- Tested and approved to EN 60947-1
- Protection degree: IP65
- Din rail connection according to EN 50022
- Supplied with removable earth bar

### Specification

Model	Way No.	Dimension(mm)		
		W	H	D
HA-4	4	140	210	100
HA-8	8	215	210	100
HA-12	12	295	260	140
HA-18	18	410	285	140
HA-24	24	295	420	140

### Overall and Installation Dimension



## CA-T Series Water-Proof Junction Box

CHANA®



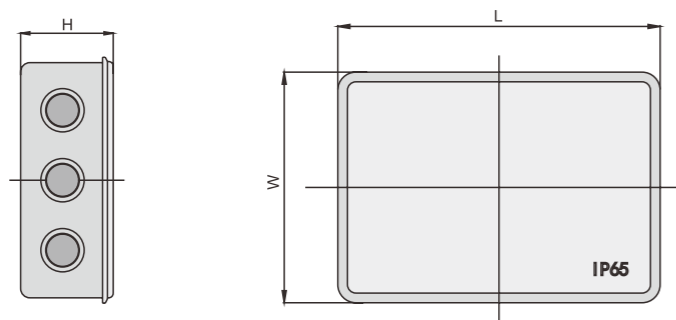
### Description

- CA-T series water-proof junction box are fixed with metal screws, which have good impact resistance, corrosion resistance, long life and good insulating properties
- Shell material: ABS
- Impact performance: EN5012 IK07-08
- Standard: IEC60529
- Temperature range: -20°C~120°C

### Specification

Model	Dimension(mm)			Hole	IP
	L	W	H		
CA-T 50X50	50		50	4	55
CA-T 80X50	80		50	4	55
CA-T 85X85X50	85	85	50	7	55
CA-T 100X100X70	100	100	70	7	65
CA-T 150X110X70	150	110	70	10	65
CA-T 150X150X70	150	150	70	8	65
CA-T 200X100X70	200	100	70	8	65
CA-T 200X155X80	200	155	80	10	65
CA-T 200X200X80	200	200	80	12	65
CA-T 255X200X80	255	200	80	12	65
CA-T 300X250X120	300	250	120	12	65
CA-T 400X350X120	400	350	120	16	65

### Overall and Installation Dimension



## CA-B Series Water-Proof Junction Box

CHANA®



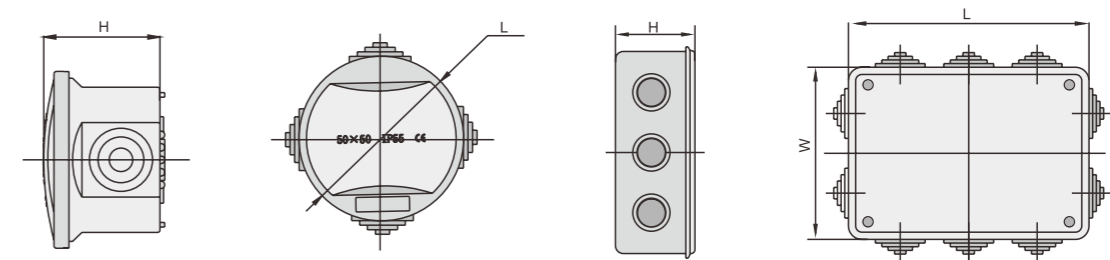
### Description

- CA-B series water-proof junction box are fixed with metal screws, which have good impact resistance, corrosion resistance, long life and good insulating properties
- Shell material: ABS
- Impact performance: EN5012 IK07-08
- Standard: IEC60529
- Temperature range: -20°C~120°C

### Specification

Model	Dimension(mm)			Hole	IP
	L	W	H		
CA-B 50X50	50		50	4	55
CA-B 80X50	80		50	4	55
CA-B 85X85X50	85	85	50	7	55
CA-B 100X100X70	100	100	70	7	65
CA-B 150X110X70	150	110	70	10	65
CA-B 150X150X70	150	150	70	8	65
CA-B 200X100X70	200	100	70	8	65
CA-B 200X155X80	200	155	80	10	65
CA-B 200X200X80	200	200	80	12	65
CA-B 255X200X80	255	200	80	12	65
CA-B 300X250X120	300	250	120	12	65
CA-T 400X350X120	400	350	120	16	65

### Overall and Installation Dimension



## CABP1 Series Hinge Buckle Distribution Box

**CHANA**<sup>®</sup>



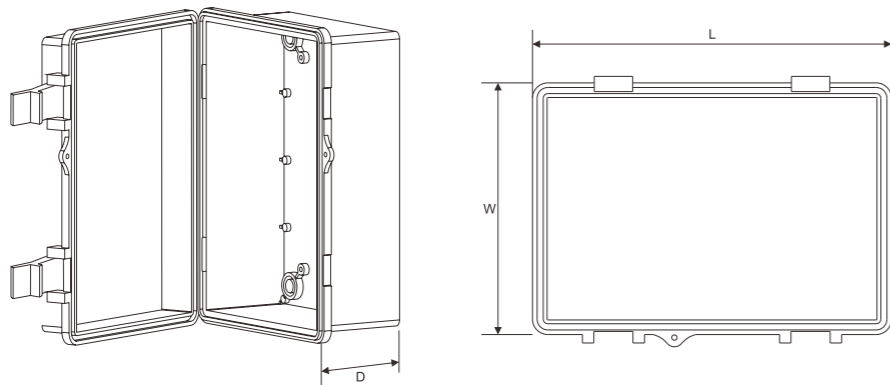
### Description

- CABP1 series hinge buckle distribution box is a large engineering box, hinge door design, door is removable. Widely used in electric power industry, chemical, railway, etc., it's waterproof and dustproof, shock resistance, corrosion resistance, insulation.
- Standard: EN60529
- Protection degree: IP65
- Temperature range: -20°C~120°C
- Shell material: PC, ABS
- Open way:hinge buckle
- G for gray box, T for clear lid box

### Specification

Model	Dimension(mm)		
	L	W	D
CABP1-302017G	300	200	170
CABP1-403017G	400	300	170
CABP1-504020G	500	400	200
CABP1-604020G	600	400	200
CABP1-302017T	300	200	170
CABP1-403017T	400	300	170
CABP1-504020T	500	400	200
CABP1-604020T	600	400	200

### Overall and Installation Dimension



## CABP2 Series Hinge Locking Distribution Box

**CHANA**<sup>®</sup>



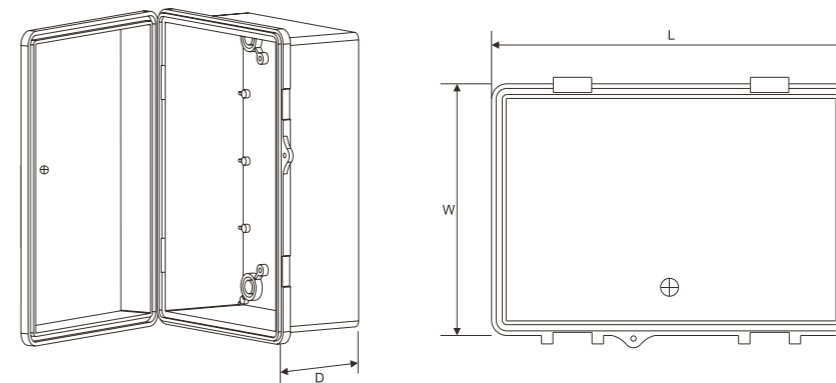
### Description

- CABP2 series hinge locking distribution box is a large engineering box, hinge door design, door is removable. Widely used in electric power industry, chemical, railway, etc., it's waterproof and dustproof, shock resistance, corrosion resistance, insulation.
- Standard: EN60529
- Protection degree: IP65
- Temperature range: -20°C~120°C
- Shell material: PC, ABS
- Open way:hinge locking
- G for gray box, T for clear lid box

### Specification

Model	Dimension(mm)		
	L	W	D
CABP2-302016G	300	200	160
CABP2-403016G	400	300	160
CABP2-504019G	500	400	195
CABP2-604019G	600	400	195
CABP2-605019G	600	500	195
CABP2-302016T	300	200	160
CABP2-403016T	400	300	160
CABP2-504019T	500	400	195
CABP2-604019T	600	400	195
CABP2-605019T	600	500	195

### Overall and Installation Dimension





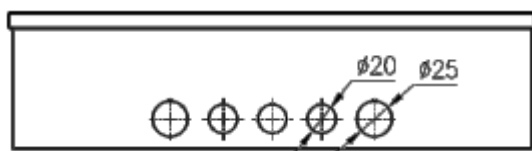
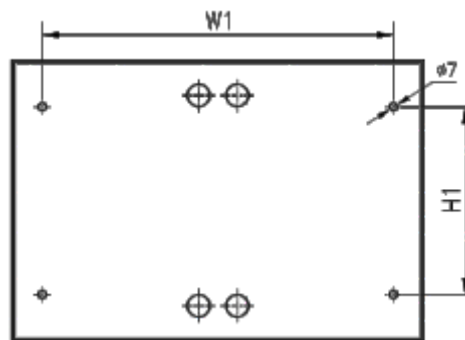
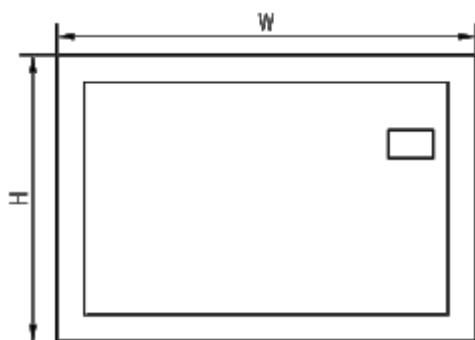
## Description

- 1CAB series distribution box is designed for safe, reliable distribution and control of electrical power as service entrance equipment in residential, commercial and light industrial installations.
- Steel sheet and copper fittings inside
- Protected with epoxy polyester coating
- Color:RAL7032 or RAL7035
- Standard:IEC 60947-3

## Specification

Model	Row	Way No.	Dimension(mm)					Terminal configuration	
			H	W	D	H1	W1	N	E
1CAB113	1	13	292	402	110	192	340	13*1	8*1
1CAB226	2	26	442	402	110	342	340	13*2	8*1
1CAB339	3	39	592	402	110	492	340	13*3	8*2
1CAB452	4	52	742	402	110	642	340	13*4	8*3
1CAB565	5	65	892	402	110	792	340	13*5	8*4

## Overall and Installation Dimension





## 2CABM Series Mini 1 Phase Distribution Box

CHANA®



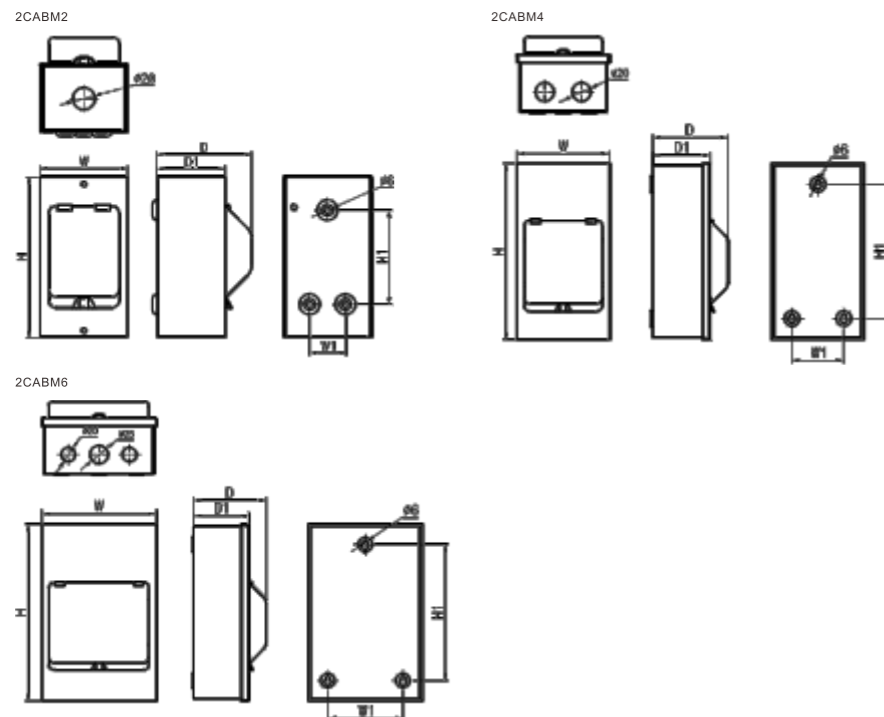
### Description

- 2CABM series Mini 1 phase distribution box is designed for safe, reliable distribution and control of electrical power as service entrance equipment in residential, commercial and light industrial installations.
- Steel sheet and copper fittings inside
- Protected with epoxy polyester coating
- Color:RAL7032 or RAL7035
- Standard:IEC 60947-3

### Specification

Model	Way No.	Dimension(mm)						Terminal configuration	
		H	W	D	D1	W1	H1	N	E
2CABM2	2	146	80	86.5	62.5	86	32.6		4*1
2CABM4	4	238	125	102	78	181	70	5*1	6*1
2CABM6	6	248	161	102	78	191	106	6*1	7*1

### Overall and Installation Dimension



## 2CAB Series 1 Phase Distribution Box

CHANA®



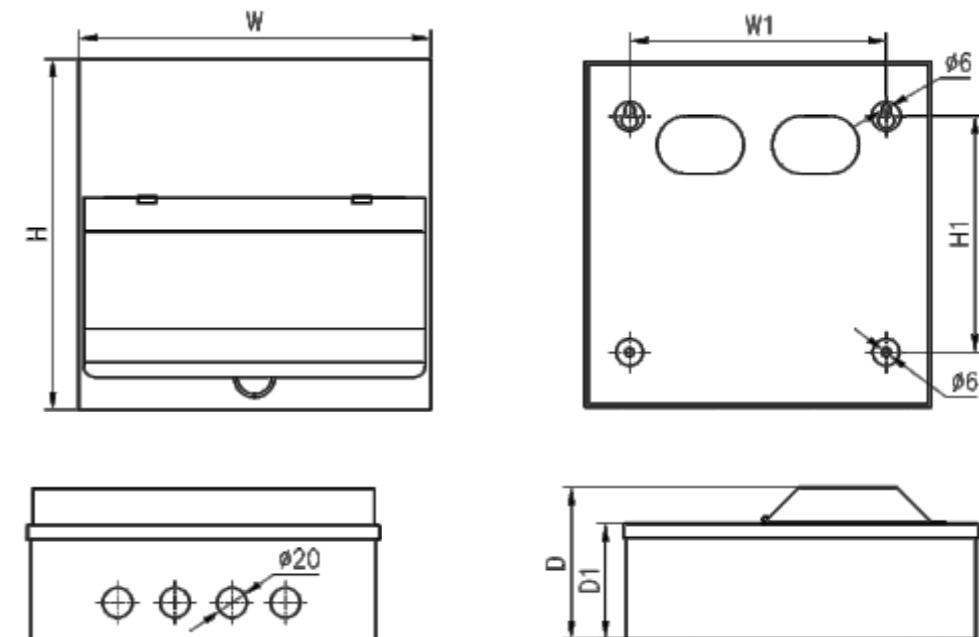
### Description

- 2CAB series 1 phase distribution box is designed for safe, reliable distribution and control of electrical power as service entrance equipment in residential, commercial and light industrial installations.
- Steel sheet and copper fittings inside
- Protected with epoxy polyester coating
- Color:RAL7032 or RAL7035
- Standard:IEC 60947-3

### Specification

Model	Way No.	Dimension(mm)						Terminal configuration	
		H	W	D	D1	W1	H1	N	E
2CAB8	8	240	240	102	78	186	154	9*1	10*1
2CAB10	10	240	276	102	78	214	154	11*1	12*1
2CAB12	12	240	312	102	78	250	154	13*1	14*1
2CAB14	14	240	348	102	78	286	154	9*2	16*1
2CAB16	16	240	384	102	78	323	154	9*2	18*1
2CAB18	18	240	414	102	78	352	154	11*2	20*1

### Overall and Installation Dimension





## Description

- CADB-M series 1 phase distribution box is used in private, commercial and industrial installations, for distribution of power to final sub-circuits, such as lighting circuits and small rated power circuits.
- Steel sheet and copper fittings inside
- Protected with epoxy polyester coating
- Standard: IEC 60947-3
- Color: RAL7032 or RAL7035

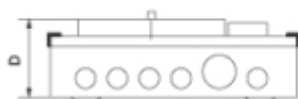
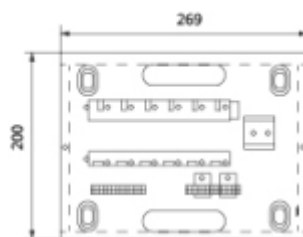
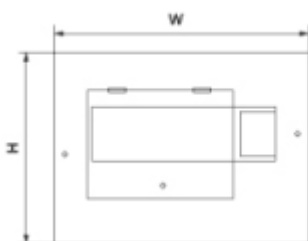
## Specification Surface-Mounted

Model	Way No.	Dimension(mm)		
		W	H	D
CADB-M-SPN-4-S	4	228	208	95
CADB-M-SPN-6-S	6	278	208	95
CADB-M-SPN-8-S	8	328	208	95
CADB-M-SPN-12-S	12	428	208	95

## Specification Flush-Mounted

Model	Way No.	Dimension(mm)		
		W	H	D
CADB-M-SPN-4-F	4	241	221	95
CADB-M-SPN-6-F	6	291	221	95
CADB-M-SPN-8-F	8	341	221	95
CADB-M-SPN-12-F	12	441	221	95

## Overall and Installation Dimension





## CABS Series Steel Distribution Box

CHANA®



### Description

- Protection degree:IP66
- Standard:IEC60529
- Color:RAL 7032,RAL 7035
- Impact performance:IK10

### Specification

Model	Size(mm)			Thickness(mm)			Bottom hole size	Lock QTY	Mounting plate size	
	H	W	D	Door	Body	M.P			L	M
CABS 2020/15	200	200	150	1.2	1.2	2	A	1	150	150
CABS 2520/15	250	200	150	1.2	1.2	2	A	1	200	150
CABS 3020/15	300	200	150	1.2	1.2	2	A	1	250	150
CABS 3020/20	300	200	200	1.2	1.2	2	A	1	250	150
CABS 3025/15	300	250	150	1.2	1.2	2	A	1	250	200
CABS 3025/20	300	250	200	1.2	1.2	2	A	1	250	200
CABS 3030/15	300	300	150	1.2	1.2	2	B	1	250	250
CABS 3030/20	300	300	200	1.2	1.2	2	B	1	250	250
CABS 3030/25	300	300	250	1.2	1.2	2	B	1	250	250
CABS 4030/15	400	300	150	1.2	1.2	2	B	1	350	250
CABS 4030/20	400	300	200	1.2	1.2	2	B	1	350	250
CABS 4030/25	400	300	250	1.2	1.2	2	B	1	350	250
CABS 4030/30	400	300	300	1.2	1.2	2	B	1	350	250
CABS 4040/15	400	400	150	1.2	1.2	2	C	1	350	250
CABS 4040/20	400	400	200	1.2	1.2	2	C	1	350	350
CABS 4040/25	400	400	250	1.2	1.2	2	C	1	350	350
CABS 4040/30	400	400	300	1.2	1.2	2	C	1	350	350
CABS 5030/15	500	300	150	1.2	1.2	2	B	1	450	350
CABS 5030/20	500	300	200	1.2	1.2	2	B	1	450	250
CABS 5030/25	500	300	250	1.2	1.2	2	B	1	450	250
CABS 5040/15	500	400	150	1.2	1.2	2	C	1	450	350
CABS 5040/20	500	400	200	1.2	1.2	2	C	1	450	350
CABS 5040/25	500	400	250	1.2	1.2	2	C	1	450	350
CABS 5040/30	500	400	300	1.2	1.2	2	C	1	450	350
CABS 5050/20	500	500	200	1.2	1.2	2	D	1	450	450
CABS 5050/25	500	500	250	1.2	1.2	2	D	1	450	450
CABS 5050/30	500	500	300	1.2	1.2	2	D	1	450	450
CABS 6040/15	600	400	150	1.2	1.2	2	C	2	550	350
CABS 6040/20	600	400	200	1.2	1.2	2	C	2	550	350
CABS 6040/25	600	400	250	1.2	1.2	2	C	2	550	350
CABS 6040/30	600	400	300	1.2	1.2	2	C	2	550	350
CABS 6050/15	600	500	150	1.2	1.2	2	D	2	550	450
CABS 6050/20	600	500	200	1.2	1.2	2	D	2	550	450
CABS 6050/25	600	500	250	1.2	1.2	2	D	2	550	450
CABS 6050/30	600	500	300	1.2	1.2	2	D	2	550	450
CABS 6050/15	600	600	150	1.2	1.2	2	D	2	550	550

## CABS Series Steel Distribution Box

CHANA®

### Specification

Model	Size(mm)			Thickness(mm)			Bottom hole size	Lock QTY	Mounting plate size	
	H	W	D	Door	Body	M.P			L	M
CABS 6060/20	600	600	200	1.2	1.2	2	D	2	550	550
CABS 6060/25	600	600	250	1.2	1.2	2	D	2	550	550
CABS 6060/30	600	600	300	1.2	1.2	2	D	2	550	550
CABS 7050/15	700	500	150	1.2	1.2	2	D	2	650	450
CABS 7050/20	700	500	200	1.2	1.2	2	D	2	650	450
CABS 7060/20	700	600	200	1.2	1.2	2	D	2	650	550
CABS 7060/25	700	600	250	1.2	1.2	2	D	2	650	550
CABS 7060/30	700	600	300	1.5	1.5	2	D	2	650	550
CABS 8060/20	800	600	200	1.5	1.5	2	D	2	750	550
CABS 8060/25	800	600	250	1.5	1.5	2	D	2	750	550
CABS 8060/30	800	600	300	1.5	1.5	2	D	2	750	550
CABS 8080/20	800	800	200	1.5	1.5	2	F	2	750	750
CABS 8080/25	800	800	250	1.5	1.5	2	F	2	750	750
CABS 8080/30	800	800	300	1.5	1.5	2	F	2	750	750
CABS 10060/20	1000	600	200	1.5	1.5	2	D	2	950	550
CABS 10060/25	1000	600	250	1.5	1.5	2	D	3	950	550
CABS 10060/30	1000	600	300	1.5	1.5	2	D	3	950	550
CABS 10070/20	1000	700	200	1.5	1.5	2	D	3	950	650
CABS 10080/20	1000	800	200	1.5	1.5	2	F	3	950	750
CABS 10080/25	1000	800	250	1.5	1.5	2	F	3	950	750
CABS 10080/30	1000	800	300	1.5	1.5	2	F	3	950	750
CABS 10080/40	1000	800	400	1.5	1.5	2	F	3	950	750
CABS 100100/25	1000	1000	250	1.5	1.5	2	G	3	950	950
CABS 100100/30	1000	1000	300	1.5	1.5	2	G	3	950	950
CABS 12060/20	1200	600	200	1.5	1.5	2	D	3	1150	550
CABS 12060/25	1200	600	250	1.5	1.5	2	D	3	1150	550
CABS 12060/30	1200	600	300	1.5	1.5	2	D	3	1150	550
CABS 12080/20	1200	800	200	1.5	1.5	2	F	3	1150	750
CABS 12080/25	1200	800	250	1.5	1.5	2	F	3	1150	750
CABS 12080/30	1200	800	300	1.5	1.5	2	F	3	1150	750
CABS 12080/40	1200	800	400	1.5	1.5	2	F	3	1150	750
CABS 120100/25	1200	1000	250	1.5	1.5	2	G	3	1150	750
CABS 120100/30	1200	1000	300	1.5	1.5	2	G	3	1150	950
CABS 120100/40	1200	1000	400	1.5	1.5	2	G	3	1150	950
CABS 14060/30	1400	600	300	1.5	1.5	2	D	3	1350	550
CABS 14080/30	1400	800	300	1.5	1.5	2	F	3	1350	750
CABS 14080/40	1400	800	400	1.5	1.5	2	F	3	1350	750
CABS 140100/30	1400	1000	300	1.5	1.5	2	G	3	1350	950
CABS 140120/30	1400	1200	300	1.5	1.5	2	G	3	1350	1150

### Overall and Installation Dimension

